

BALDOR® • RELIANCE 

Product Information Packet

EM7083T

42M 2P XPFC HOR 286TS T'STATS SE

Part Detail							
Revision:	-	Status:	PRD/A	Change #:		Proprietary:	No
Type:	AC	Elec. Spec:	10WGZ035	CD Diagram:	CD0180	Mfg Plant:	
Mech. Spec:	10E128	Layout:	10LYE128	Poles:	02	Created Date:	04-18-2019
Base:	RG	Eff. Date:	04-24-2019	Leads:	9#10		

Specs			
Catalog Number:	EM7083T	Front Shaft Indicator:	None
Enclosure:	XPFC	Heater Indicator:	No Heater
Frame:	286TS	Insulation Class:	F
Frame Material:	Iron	Inverter Code:	Not Inverter
Output @ Frequency:	25.000 HP @ 50 HZ	KVA Code:	G
	30.000 HP @ 60 HZ	Lifting Lugs:	Standard Lifting Lugs
Synchronous Speed @ Frequency:	3600 RPM @ 60 HZ	Locked Bearing Indicator:	Locked Bearing
Voltage @ Frequency:	230.0 V @ 60 HZ	Motor Lead Quantity/Wire Size:	9 @ 10 AWG
	190.0 V @ 50 HZ	Motor Lead Exit:	Ko Box
	460.0 V @ 60 HZ	Motor Lead Termination:	Flying Leads
	380.0 V @ 50 HZ	Motor Type:	X1046M
XP Class and Group:	CLI GP D; CLII GP F,G	Mounting Arrangement:	F1
XP Division:	Division I	Power Factor:	90
Agency Approvals:	CSA	Product Family:	General Purpose
	CSA EEV	Pulley End Bearing Type:	Ball
	UR	Pulley Face Code:	Standard
Auxillary Box:	No Auxillary Box	Pulley Shaft Indicator:	Standard
Auxillary Box Lead Termination:	None	Rodent Screen:	None

Base Indicator:	Rigid	RoHS Status:	ROHS COMPLIANT
Bearing Grease Type:	Polyrex EM (-20F +300F)	Shaft Extension Location:	Pulley End
Blower:	None	Shaft Ground Indicator:	No Shaft Grounding
Current @ Voltage:	72.000 A @ 208.0 V	Shaft Rotation:	Reversible
	68.000 A @ 190.0 V	Shaft Slinger Indicator:	No Slinger
	66.000 A @ 230.0 V	Speed Code:	Single Speed
	34.000 A @ 380.0 V	Motor Standards:	NEMA
	33.000 A @ 460.0 V	Starting Method:	Direct on line
Design Code:	B	Thermal Device - Bearing:	None
Drip Cover:	No Drip Cover	Thermal Device - Winding:	Normally Closed Thermostat
Duty Rating:	CONT	Vibration Sensor Indicator:	No Vibration Sensor
Electrically Isolated Bearing:	Not Electrically Isolated	Winding Thermal 1:	None
Feedback Device:	NO FEEDBACK	Winding Thermal 2:	None
Front Face Code:	Standard	XP Temp Code:	T3C

Nameplate NP1426XPSLEV	
NO.	[] CC 010A []
SER.	[]
SPEC.	10E128Z035G1
CAT.NO.	EM7083T
HP	30//25 T. CODE T3C
VOLTS	230/460//190/380
AMPS	66/33//68/34
RPM	3520//2920
HZ	60//50 PH 3 CL F
SER.F.	1.00 DES B CODE G
RATING	40C AMB-CONT
FRAME	286TS NEMA-NOM-EFF 91.7
USABLE AT 208V	72 PF 90
BLANK	[]

Parts List		
Part Number	Description	Quantity
SA368677	SA 10E128Z035G1	1.000 EA
RA358197	RA 10E128Z035G1	1.000 EA
37FN3002B03	EXFN, PLASTIC, 7.50 OD, 1.690 ID	1.000 EA
12CB1001A01	K.O.BOX, MACH X-PROOF, 1.50 NPT HOLE	1.000 EA
10XN3118K16	5/16-18 X 1' GRADE #5, STL, ZINC PLATE	4.000 EA
HW1001A31	LOCKWASHER 5/16, ZINC PLT.591 OD, .319 I	4.000 EA
WD1000B25	GND LUG, BURNDY L125HP OR T&B L125HP-BB	1.000 EA
19XW3118G08	.31-18X.50,HEX WSHR HD,TAPTITE 2,GREEN	1.000 EA
HW1001A31	LOCKWASHER 5/16, ZINC PLT.591 OD, .319 I	1.000 EA
10EP1701A01	FR ENDPLATE, MACH	1.000 EA
HA3050A03	3/8-16 X 2.25" GRADE 8 BOLT	4.000 EA
HW1001A38	LOCKWASHER 3/8, ZINC PLT .688 OD, .382 I	4.000 EA
HW5100A11	W3917-042 WVY WSHR (WB)	1.000 EA
10XN2520K40	1/4-20 X 2-1/2 HEX HD CAPSCREW,GRADE 5,Z	4.000 EA
HW1001A25	LOCKWASHER 1/4, ZINC PLT .493 OD, .255 I	4.000 EA
10EP1709A08	PU ENDPLATE, X-PROOF W/LABYRINTH SHAFT G	1.000 EA
HA3050A03	3/8-16 X 2.25" GRADE 8 BOLT	4.000 EA
HW1001A38	LOCKWASHER 3/8, ZINC PLT .688 OD, .382 I	4.000 EA
10FH1008A01	310 FAN HOUSING X-PROOF MACH.	1.000 EA
10XN3118K12	5/16-18 X .75 GRADE 5, ZINC PLATED	3.000 EA
HW1001A31	LOCKWASHER 5/16, ZINC PLT.591 OD, .319 I	3.000 EA
12CB1501A01	COND.BOX LID, MACH., X-PROOF, 310,312	1.000 EA
10XN3816K20	3/8-16 X 1.25 HEX HD CAP GRADE 5	6.000 EA
HW1001A38	LOCKWASHER 3/8, ZINC PLT .688 OD, .382 I	6.000 EA

Parts List (continued)		
Part Number	Description	Quantity
HW2501G17	KEY, 3/8 SQ X 1.875	1.000 EA
LB1115N	LABEL,LIFTING DEVICE (ON ROLLS)	1.000 EA
LB1073	ALUM XP CAUTION LABEL	1.000 EA
WD4100A03	DE-750 HEYCO PLUG 62MP0750 MICRO PLASTIC	1.000 EA
HW4500A20	1/8NPT SL PIPE PLUG	2.000 EA
MJ1000A02	GREASE, MOBIL POLYREX EM - 124047	0.130 LB
HW4500A20	1/8NPT SL PIPE PLUG	2.000 EA
HW2500A25	WOODRUFF KEY USA #1008 #BLOW CARBON STEE	1.000 EA
51XB1214A20	12-14X1.25 HXWSSLD SERTYB	1.000 EA
MG1025G05	WILKOFASST, 789.227, MED. GRAY CHAR. MET.	0.125 GA
85XU0407S04	4X1/4 U DRIVE PIN STAINLESS	6.000 EA
LB1119N	WARNING LABEL	1.000 EA
LC0181	CONNECTION LABEL	1.000 EA
NP1426XPSLEV	SS XP UL CSA-EEV CC CL-I GP-D	1.000 EA
12PA1000	PACKAGING GROUP PRINT PK1024A06	1.000 EA
MN416A01	TAG-INSTAL-MAINT no wire (1200/bx) 3/19	1.000 EA

AC Induction Motor Performance Data

Record # 79271 - Typical performance - not guaranteed values

Winding: 10WGZ035-R004	Type: 1046M	Enclosure: XPFC
-------------------------------	--------------------	------------------------

Nameplate Data				460 V, 60 Hz: High Voltage Connection	
Rated Output (HP)	30//25			Full Load Torque	44.4 LB-FT
Volts	230/460//190/380			Start Configuration	direct on line
Full Load Amps	66/33//68/34			Breakdown Torque	169 LB-FT
R.P.M.	3520//2920			Pull-up Torque	60.8 LB-FT
Hz	60//50	Phase	3	Locked-rotor Torque	80 LB-FT
NEMA Design Code	B	KVA Code	G	Starting Current	223 A
Service Factor (S.F.)	1			No-load Current	8.85 A
NEMA Nom. Eff.	91.7	Power Factor	90	Line-line Res. @ 25°C	0.239 Ω
Rating - Duty	40C AMB-CONT			Temp. Rise @ Rated Load	58°C
S.F. Amps				Temp. Rise @ S.F. Load	72°C
				Locked-rotor Power Factor	23.5
				Rotor inertia	1.97 lb-ft ²

Load Characteristics 460 V, 60 Hz, 30 HP

% of Rated Load	25	50	75	100	125	150
Power Factor	64	83	89	91	92	91
Efficiency	89.6	92.9	93.5	92.7	92.4	91.4
Speed	3580	3561	3544	3525	3504	3480
Line amperes	12	18.3	25.2	33	41.5	50.5

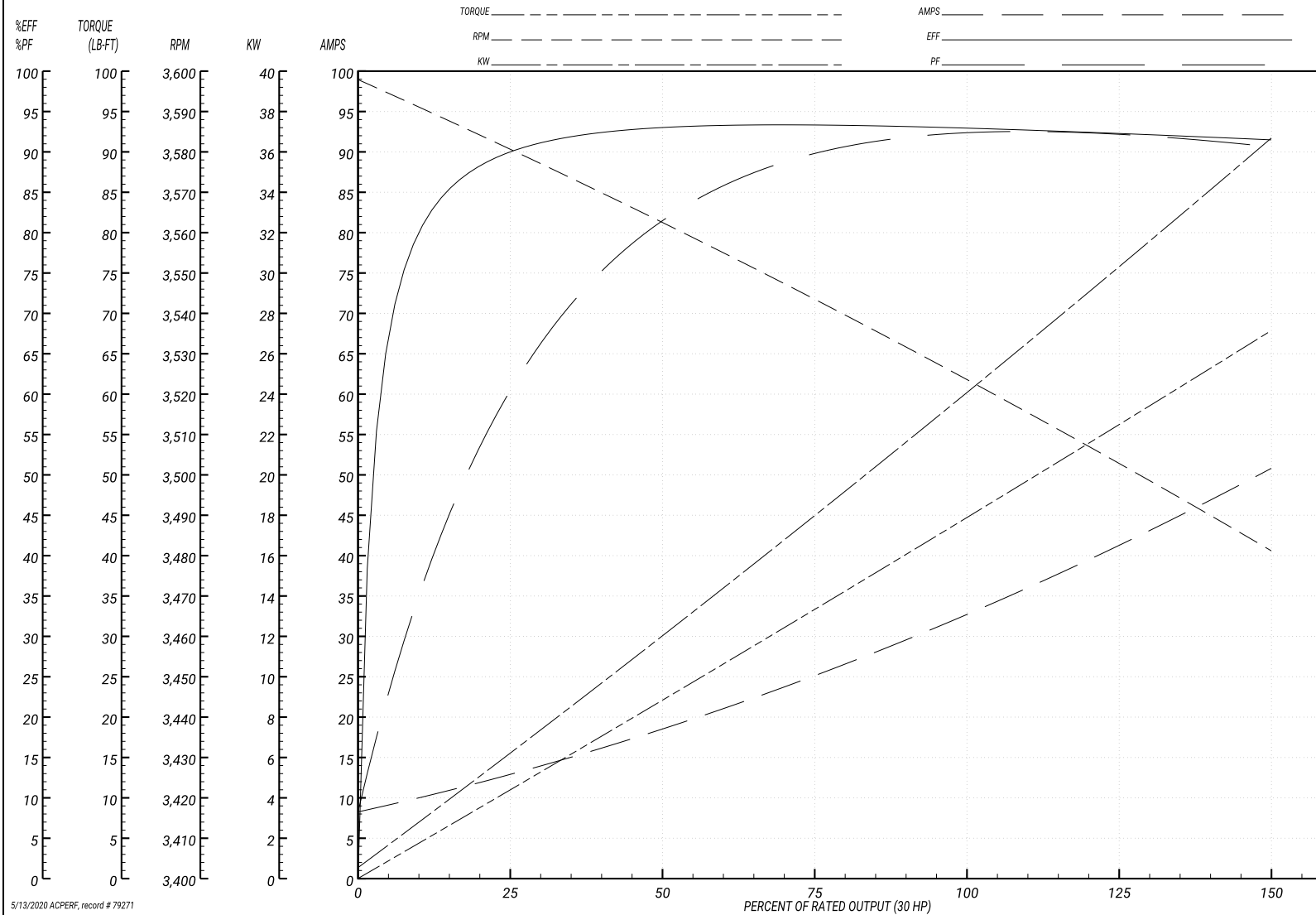
Performance Graph at 460V, 60Hz, 30.0HP Typical performance - Not guaranteed values

ABB Motors and Mechanical Inc.

WINDING # 10WGZ035

Typical performance - not guaranteed values.

30 HP 3 PH 60 HZ 3525 RPM 460 V 1046M
 TORQUES(LB-FT): PO=169 PU=60.8 LR=80 LRA=223



5/13/2020 ACPERF, record # 79271

AC Induction Motor Performance Data

Record # 79272 - Typical performance - not guaranteed values

Winding: 10WGZ035-R004	Type: 1046M	Enclosure: XPFC
-------------------------------	--------------------	------------------------

Nameplate Data				380 V, 50 Hz: High Voltage Connection	
Rated Output (HP)	30//25			Full Load Torque	44.55 LB-FT
Volts	230/460//190/380			Start Configuration	direct on line
Full Load Amps	66/33//68/34			Breakdown Torque	164 LB-FT
R.P.M.	3520//2920			Pull-up Torque	64.66 LB-FT
Hz	60//50	Phase	3	Locked-rotor Torque	85.07 LB-FT
NEMA Design Code	B	KVA Code	G	Starting Current	219 A
Service Factor (S.F.)	1			No-load Current	8.71 A
NEMA Nom. Eff.	91.7	Power Factor	90	Line-line Res. @ 25°C	0.239 Ω
Rating - Duty	40C AMB-CONT			Temp. Rise @ Rated Load	59°C
S.F. Amps				Temp. Rise @ S.F. Load	74°C
				Locked-rotor Power Factor	26.5
				Rotor inertia	1.97 lb-ft ²

Load Characteristics 380 V, 50 Hz, 25 HP

% of Rated Load	25	50	75	100	125	150
Power Factor	64	83	89	91	92	91
Efficiency	90.9	93.3	93.5	92.5	91.9	90.6
Speed	2981	2963	2946	2927	2907	2883
Line amperes	11.87	18.29	25.38	33.31	42.09	51.47

Performance Graph at 380V, 50Hz, 25.0HP Typical performance - Not guaranteed values

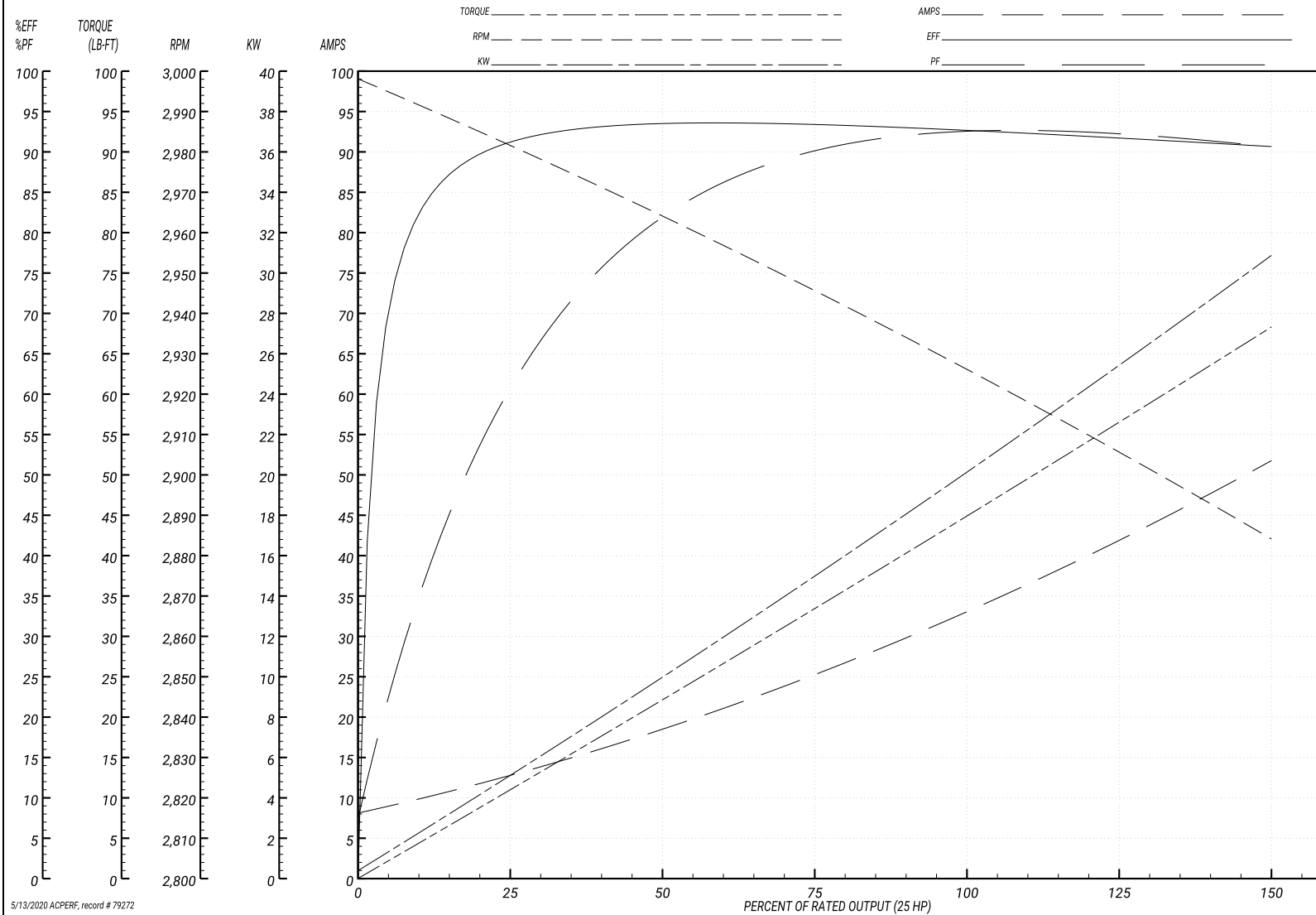
ABB Motors and Mechanical Inc.

WINDING # 10WGZ035

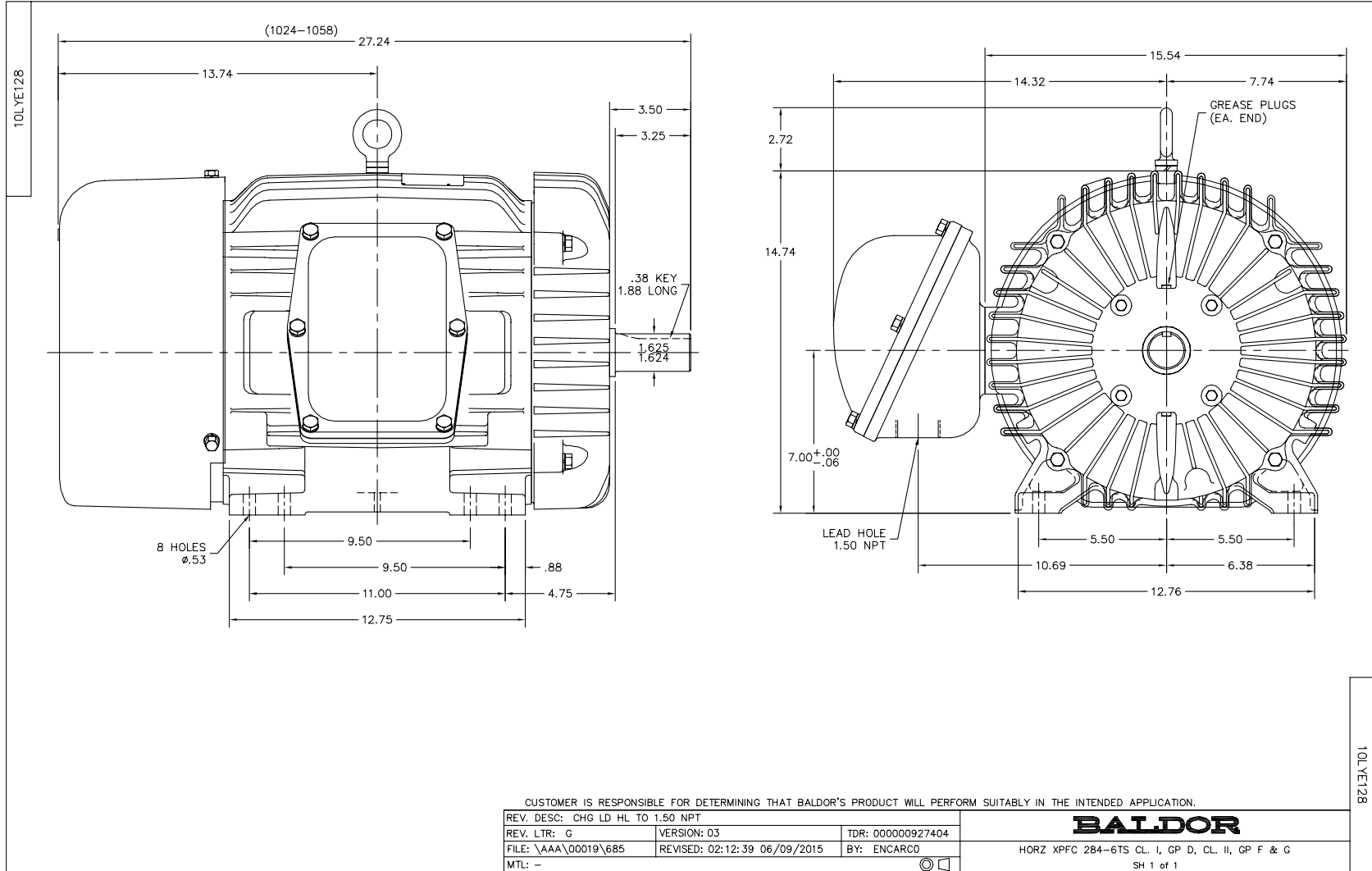
Typical performance - not guaranteed values.

25 HP 3 PH 50 HZ 2927 RPM 380 V 1046M

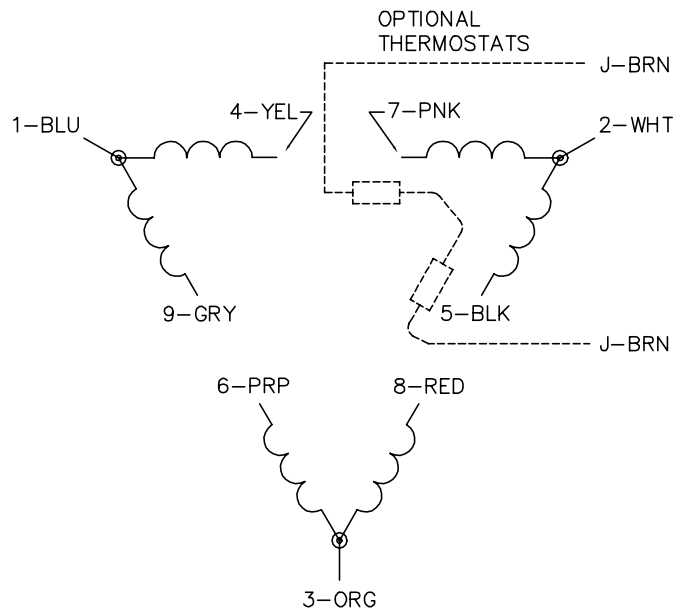
TORQUES(LB-FT): PO=164 PU=64.66 LR=85.07 LRA=219



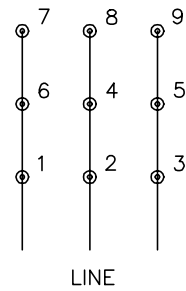
5/13/2020 ACPERF, record # 79272



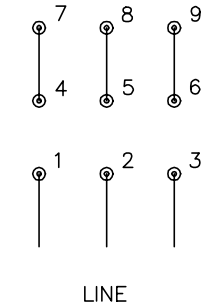
CD0180



LOW VOLTAGE
(2D)



HIGH VOLTAGE
(1D)



NOTES:

1. INTERCHANGE ANY TWO LINE LEADS TO REVERSE ROTATION.
2. OPTIONAL THERMOSTATS ARE PROVIDED WHEN SPECIFIED.
3. ACTUAL NUMBER OF INTERNAL PARALLEL CIRCUITS MAY BE A MULTIPLE OF THOSE SHOWN ABOVE.
4. LEAD COLORS ARE OPTIONAL. LEADS MUST ALWAYS BE NUMBERED AS SHOWN.

CD0180

REV. DESC: ADD CLASS CONN00000007		
REV. LTR: D	VERSION: 01	TDR: 000001099922
FILE: \AAA\00005\148	REVISED: 10:25:29 02/19/2019	BY: ENBRIRO
MTL: -	© □	

BALDOR - RELIANCE®

3PH, DV, 9 LEADS, DELTA CONNECTION

SH 1 of 1

Marketing maintained PDF of MN416:

[MN416?ManNumber=MN416](#)